

SPANCO®

PHARMA LIGHTING



AN ISO 9001 : 2008 CERTIFIED COMPANY



*The Light For
Your Lighter Moments*

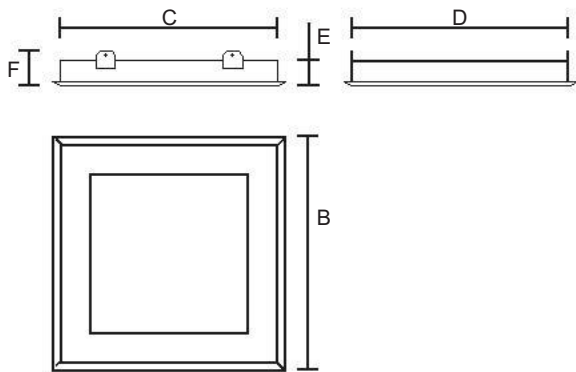


Indoor recess mounted bottom opening clean room luminaire with clear PMMA lens suitable for use with 10W-2G11 & 18W-2G11 Bottom frame in sheet steel powder coated white finish. Suitable for RCC, modular, sandwich, walkover ceiling systems.

Features

- CRCA sheet steel powder coated housing in broken white.
- Bottom housing frame has clear PMMA lens fixed to the CRCA sheet steel powder in broken white colour with double sided gasket and pressure clamps.
- The lens fixing to the bottom frame cover is provided with pressure plates for improved sealing.
- Bottom frame is gasketed from inside for sealing the cutout.
- Gaskets made of cross linked polypropelene which is non hygroscopic.
- The EPDM gasketing available on request.
- The glass lens / prismatic lens options available on request.
- Loss proof SS screws used for fixing the bottom frame to the housing

Product Dimensions



Optics

Reflector is made of full specular (FS) high purity aluminium.

Installation

- Luminaire mounted to ceiling RCC slab by chain suspension on upper ceiling.
- Special mounting systems provided for walkover ceilings on request.

Applications

- Pharmaceutical plants
- Food processing plants
- Tea Packaging
- Bottling plants
- Film processing plant
- Hospitals
- Electronic component manufacturing plant

How To Order This Product

Product description	Catalogue Number	Lamp Type	Dimensions (mm)						Cut Out (mm)	
			A	B	C	D	E	F	LxW	
Powder coated bottom frame with 1-10W 2G11.	CRPHBO 1-10-2G11	1X10W LED TUBE	340	340	294	297	72	95	300 x 300	
Powder coated bottom frame with 2-10W 2G11.	CRPHBO 2-10-2G11	2X10W LED TUBE	340	340	294	297	72	95	300 x 300	
Powder coated bottom frame with 20W PCB	CRPHBO 20PCB	PCB	340	340	294	297	72	95	300 x 300	
Powder coated bottom frame with 1-18W-2G11.	CRPHB1-1-18W-2G11	1X18W LED TUBE	640	340	594	297	72	95	600 x 300	
Powder coated bottom frame with 2-18W-2G11	CRPHB1-2-18W-2G11	2X18W LED TUBE	640	340	594	297	72	95	600 x 300	
Powder coated bottom frame with 40W PCB.	CRPHB1-40W-PCB	PCB	640	340	594	297	72	95	600 x 600	
Powder coated bottom frame with 2-18W-2G11.	CRPHB2-2-18W-2G11	2X18W LED TUBE	640	640	594	597	72	95	600 x 600	
Powder coated bottom frame with 3-18W-2G11.	CRPHB2-3-18W-2G11	3X18W LED TUBE	640	640	594	597	72	95	600 x 600	
Powder coated bottom frame with 40W PCB.	CRPHB2-40W-PCB	PCB	640	640	594	597	72	95	600 x 600	

Indoor recess mounted bottom opening clean room luminaire with clear PMMA lens suitable for use with 2x18W/36W TC-L, 3x36W TC-L & 2x36W T8 lamps. Bottom frame in sheet steel powder coated white finish. Suitable for R.CC, modular, sandwich, walkover ceiling systems.

Features

- CRCA sheet steel powder coated housing in broken white.
- Bottom housing frame has clear PMMA lens fixed to the CRCA sheet steel powder in broken white colour with double sided gasket and pressure clamps.
- The lens fixing to the bottom frame cover is provided with pressure plates for improved sealing.
- Bottom frame is gasketed from inside for sealing the cutout.
- Gaskets made of cross linked polypropylene which is non hygroscopic.
- The EPDM gasketing available on request.
- The glass lens / prismatic lens options available on request.
- Loss proof SS screws used for fixing the bottom frame to the housing
- Control gear available in switch start or high frequency electronic control gear in THD<30% or THD< 10%.
- Available in CFL & FTL versions.

Optics

Reflector is made of full specular (FS) high purity aluminium.

Installation

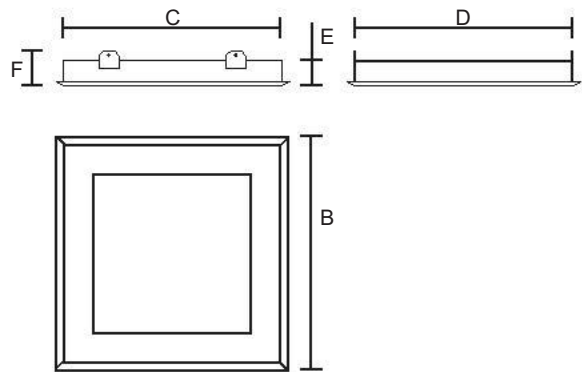
- Luminaire mounted to ceiling RCC slab by chain suspension on upper ceiling.
- Special mounting systems provided for walkover ceilings on request.

Applications

- Pharmaceutical plants
- Food processing plants
- Tea Packaging
- Bottling plants
- Film processing plant
- Hospitals
- Electronic component manufacturing plant



Product Dimensions

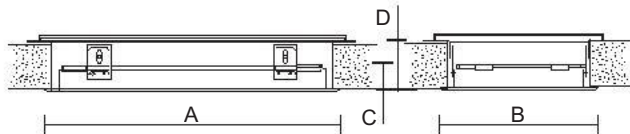


How To Order This Product

Product description	Catalogue Number	Lamp Type	Dimensions (mm)						Cut Out (mm)	
			A	B	C	D	E	F	LxW	
Powder coated bottom frame with 1x10W-2G11.	CRPHBO 218MAFS	2X18W TC-L	340	340	294	297	72	95	300 x 300	
Powder coated bottom frame with 2X10W-2G11.	CRPHBO 218EGFS	2x18W TC-L	340	340	294	297	72	95	300 x 300	
Powder coated bottom frame with 20W PCB.	CRPHBO 218EFFS	2x18W TC-L	340	340	294	297	72	95	300 x 300	
Powder coated bottom frame with 1X18W-2G11.	CRPHB1 236MAFS	2x36W TC-L	640	640	594	597	72	95	600 x 600	
Powder coated bottom frame with 2X18W-2G11.	CRPHB1 236EGFS	2X36W TC-L	640	640	594	597	72	95	600 x 600	
Powder coated bottom frame with 40W PCB.	CRPHB1 236EFFS	2x36W TC-L	640	640	594	597	72	95	600 x 600	
Powder coated bottom frame with 2X18W-2G11.	CRPHB1 336MAFS	3x36W TC-L	640	640	594	597	72	95	600 x 600	
Powder coated bottom frame with 3X18W-2G11.	CRPHB1 336EGFS	3x36W TC-L	640	640	594	597	72	95	600 x 600	
Powder coated bottom frame with 40W-PCB.	CRPHB1 336EFFS	3x36W TC-L	640	640	594	597	72	95	600 x 600	
	FRPHB2 236MAFS	2X36W T8	1314	340	1268	297	72	95	1274 x 300	
	FRPHB2 236EGFS	2x36W T8	1314	340	1268	297	72	95	1274 x 300	
	FRPHB2 236EFFS	2x36W T8	1314	340	1268	297	72	95	1274 x 300	
	CRPHB3 236MAFS	2x36W TC-L	640	340	594	297	72	95	600 x 300	
	CRPHB3 236EGFS	2X36W TC-L	640	340	594	297	72	95	600 x 300	
	CRPHB3 236EGFS	2x36W TC-L	640	340	594	297	72	95	600 x 300	



Product Dimensions



Indoor recess mounted top opening clean room luminaire with clear PMMA lens suitable for use with 2x36W TC-L, 3x36W TC-L & 2x36W T8 lamps. Bottom frame in powder coated white colour finish. Suitable for RCC, modular, sandwich, walkover ceiling systems.

Features

- CRCA sheet steel powder coated housing in broken white.
- Bottom housing frame has clear PMMA lens fixed to the CRCA sheet steel powder in broken white colour with double sided gasket & pressure clamps.
- The lens fixing Lo the bottom frame cover is provided with pressure plates for improved sealing.
- Bottom frame is gasketed from inside for sealing the cutout.
- Gasket made of cross linked polypropelene which is non hygroscopic.
- Supplied with walkover CRCA sheet steel powder coated white top cover and frame with proper gasketing for sealing of cover frame.
- Control gear available in switch start or high frequency electronic control gear in THD<30% or THD< 10%. Control gear is provided on top cover of the luminaire for ease of maintenance
- The knobs / sleeved wing nuts are provided on luminaire hinged cover for quick maintenance.

Optics

Reflector is made of full specular (FS) high purity aluminium.

Installation

- The heavy duty steel clamps are to be fixed on top of the walk over ceiling with the help of screws / bolt
- The luminaire is fitted to these clamps with bolts, the adjustable height arrangement is provided for proper sealing.
- The walk over sheet steel cover frame is fixed to walk over ceiling with screws / bolts.

Applications

- Pharmaceutical plants
- Food processing plants
- Tea Packaging
- Bottling plants
- Film processing plant
- Hospitals
- Electronic component manufacturing plant

How To Order This Product

Product description	Catalogue Number	Lamp Type	Dimensions (mm)					Cut Out (mm)	
			A	B	C	D	E	F	L x W
Powder coated bottom frame with 1-10W 2G11.	CRPHTO 1-10-2G11	2x36W TC-L	640	340	63	100		600 x 300	
Powder coated bottom frame with 2-10W 2G11.	CRPHTO 2-10-2G11	2x36W TC-L	640	340	63	100		600 x 300	
Powder coated bottom frame with 20W PCB	CRPHTO 20W PCB	2x36W TC-L	640	340	63	100		600 x 300	
Powder coated bottom frame with 1-18W-2G11.	CRPHTI 1-18-2G11	2x36W TC-L	640	640	63	100		600 x 300	
Powder coated bottom frame with 2-18W-2G11	CRPHTI 2-18-2G11	2x36W TC-L	640	640	63	100		600 x 300	
Powder coated bottom frame with 40W PCB.	CRPHTI 40W-PCB	2X36W TC-L	640	640	63	100		600 x 300	
Powder coated bottom frame with 2-18W-2G11.	CRPHT2 2-18-2G11	3x36W TC-L	640	640	63	100		600 x 300	
Powder coated bottom frame with 3-18W-2G11.	CRPHT2 3-18-2G11	3x36W TC-L	640	640	63	100		600 x 300	
Powder coated bottom frame with 40W PCB.	CRPHT2 40W-PCB	3X36W TC-L	640	640	63	100		600 x 300	



Indoor recess mounted bottom opening clean room luminaire with clear PMMA lens suitable for use with 2x36W TC-L, 3x36W TC-L & 2x36W T8 lamps. Bottom frame in stainless steel. Suitable for RCC, modular, sandwich, walkover ceiling systems.

Features

- CRCA sheet steel powder coated housing in broken white.
- Bottom housing frame has clear PMMA lens fixed to the stainless steel powder in broken white colour with double sided gasket & pressure clamps,
- The lens fixing to the bottom frame cover is provided with pressure plates for improved sealing.
- Bottom frame is gasketed from inside for sealing the cutout.
- Gasket made of cross linked polypropylene which is non hygroscopic.
- Supplied with walkover CRCA sheet steel powder coated white top cover and frame with proper gasketing for sealing of cover frame.
- Control gear available in switch start or high frequency electronic control gear in THD<30% or THD< 10%. Control gear is provided on top cover of the luminaire for ease of maintenance.
- The knobs / sleeved wing nuts are provided on luminaire hinged cover for quick maintenance.

Optics

Reflector is made of full specular (FS) high purity aluminium.

Installation

- The heavy duty steel clamps are to be fixed on top of the walk over ceiling with the help of screws / bolt.
- The luminaire is fitted to these clamps with bolts, the adjustable height arrangement is provided for proper sealing.
- The walk over sheet steel cover frame is fixed to walk over ceiling with screws / bolts.

Applications

- Pharmaceutical plants
- Food processing plants
- Tea Packaging
- Bottling plants
- Film processing plant
- Hospitals
- Electronic component manufacturing plant

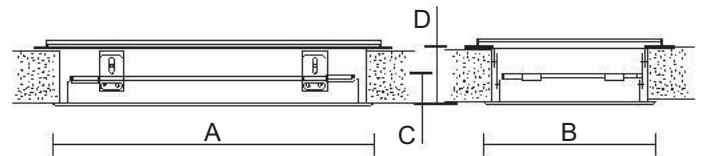
How To Order This Product

Product description	Catalogue Number	Lamp Type	Dimensions (mm)				Cut Out (mm) Lx W
			A	B	C	D	
Stainless steel bottom frame with low loss magnetic ballast.	CRPHTO 236MAFS S	2x36W TC-L	640	340	63	100	600 x 300
Stainless steel bottom frame with Electronic ballast having THD<30	CRPHTO 236EGFS S	2x36W TC-L	640	340	63	100	600 x 300
Stainless steel bottom frame with Electronic ballast having THD< 10%	CRPHTO 236EFFS S	2x36W TC-L	640	340	63	100	600 x 300
Stainless steel bottom frame with low loss magnetic ballast.	CRPHTI236MAFS S	2x36W TC-L	640	640	63	100	600 x 600
Stainless steel bottom frame with Electronic ballast having THD<30%	CRPHTI 236EGFS S	2x36W TC-L	640	640	63	100	600 x 600
Stainless steel bottom frame with Electronic ballast having THD< 10%	CRPHTI 236EFFS S	2x36W TC-L	640	640	63	100	600 x 600
Stainless steel bottom frame with low loss magnetic ballast	CRPHTI 336MAFS S	3x36W TC-L	640	640	63	100	600 x 600
Stainless steel bottom frame with Electronic ballast having THD<30%	CRPHTI 336EGFS S	3x36W TC-L	640	640	63	100	600 x 600
Stainless steel bottom frame with Electronic ballast having THD< 10%	CRPHTI 336EFFS S	3x36W TC-L	640	640	63	100	600 x 600
Stainless steel bottom frame with low loss magnetic ballast.	FRPHT2 236MAFS S	2x36W T8	1314	340	63	100	1274 x 300
Stainless steel bottom frame with Electronic ballast having THD< 10%	FRPHT2 236EFFS S	2x36W T8	1314	340	63	100	1274 x 300

Product variation with 2x40w TC-L or 3x40W TC-L available on request



Product Dimensions



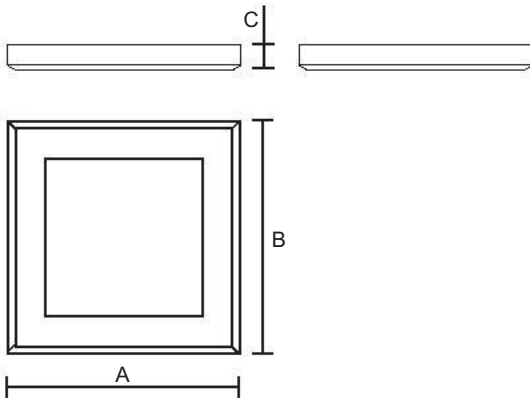


Indoor surface mounted bottom opening clean room luminaire with clear PMMA lens suitable for use with 2x 10W 2G11/18W 2G11 Bottom frame in powder coated white finish.

Features

- CRCA Sheet Steel powder coated body in broken white.
- Bottom housing frame has clear PMMA lens fixed to the CRCA sheet steel powder in broken white colour with double sided gasket and pressure clamps.
- The lens fixing to the bottom frame cover is provided with pressure plates for improved sealing.
- Gasket is made of cross linked polypropelene which is non hygroscopic.
- The EPDM gasketing available on request.
- The glass lens / prismatic lens options available on request.
- Loss proof SS screws used for fixing the bottom frame to the housing.

Product Dimensions



Optics

Reflector is made of full specular (FS) high purity aluminium.

Installation

- Luminaire can be surface mounted on ceiling with four screws.

Applications

- Pharmaceutical plants
- Food processing plants
- Tea Packaging
- Bottling plants
- Film processing plant
- Hospitals
- Electronic component manufacturing plant

How To Order This Product

Product description	Catalogue Number	Lamp Type	Dimensions (mm)		
			A	B	C
Powder coated bottom frame with 1-10W-2G11 Surface	CSPHBO 1-10-2G11	1x10W 2G11	321	321	70
Powder coated bottom frame with 2-10W-2G11 Surface	CSPHBO 2-10-2G11	2x10W 2G11	321	321	70
Powder coated bottom frame with PCB Surface	CSPHBO 20WPCB	PCB	321	321	70
Powder coated bottom frame with 1-18W-2G11 Surface	CSPHBO 1-18-2G11	1x18W 2G11	621	321	70
Powder coated bottom frame with 2-18W-2G11 Surface	CSPHBO 2-18-2G11	2x18W 2G11	621	321	70
Powder coated bottom frame with 40W PCB	CSPHBO 40W PCB	PCB	621	321	70
Powder coated bottom frame with 2-18W-2G11 Surface	CSPHBO1 2-18-2G11	2x18W 2G11	621	621	70
Powder coated bottom frame with 3-18W-2G11 Surface	CSPHBO1 3-18-2G11	3x18W 2G11	621	621	70
Powder coated bottom frame with 40W PCB Surface	CSPHBO1 40W PCB	PCB	621	621	70



Indoor recess mounted bottom opening clean room luminaire with bottom access for fixing of the luminaire. Clear PMMA lens suitable for use with 10W -2G 11, 18W - 2G 11 Bottom frame in powder coated white finish. Suitable for RCC, modular, sandwich, walkover ceiling systems.

Features

- CRCA sheet steel powder coated housing in broken white.
- Bottom housing frame has clear PMMA lens fixed to the CRCA sheet steel powder in broken white colour with double sided gasket and pressure clamps.
- Bottom frame is gasketed from inside for sealing the cutout.
- The lens fixing to the bottom frame cover is provided with pressure plates for improved sealing.
- Gasket made of cross linked polypropylene which is non hygroscopic.
- Loss proof SS screws used for fixing the bottom frame to the housing.
- Control gear available in switch start or high frequency electronic control gear in THD<30% or THD< 10%.
- Quick mounting with the adjustable clamps which has access from bottom only.
- No need of addition suspension from upper ceiling.

Optics

Reflector is made of full specular (FS) high purity aluminium.

Installation

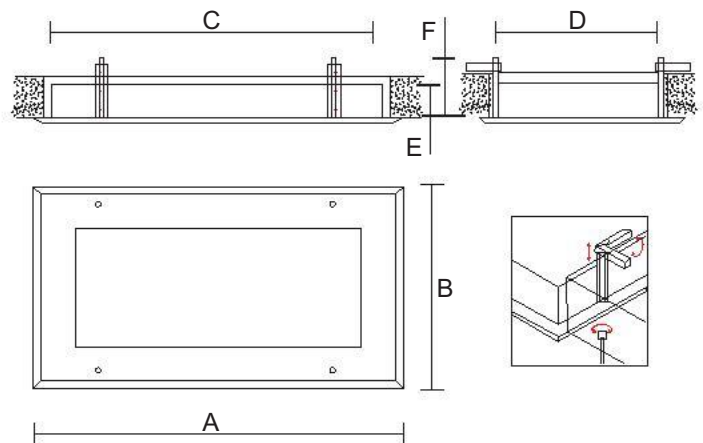
- Suitable for modular, exposed T or non modular ceiling systems.
- Remove the bottom cover.
- Unscrew fixing clamps till you feel free movement.
- Then screw in clamp till the luminaire is fixed properly in ceiling.

Applications

- Pharmaceutical plants
- Food processing plants
- Tea Packaging
- Bottling plants
- Film processing plant
- Hospitals
- Electronic component manufacturing plant



Product Dimensions



How To Order This Product

How To Order This Product

Product description	Catalogue Number	Lamp Type	Dimensions (mm)						Cut Out (mm)	
			A	B	C	D	E	F	L x W	
Powder coated bottom frame with 1-10W 2G11.	CRPHBO 1-10-2G11 BFX	1x10W 2G11	340	340	268	297	68	112	310 x 310	
Powder coated bottom frame with 2-10W-2G11.	CRPHBO 2-10-2G11 BFX	2x10W 2G11	340	340	268	297	68	112	310 x 310	
Powder coated bottom frame with 20W PCB.	CRPHBO 20W PCB BFX	PCB	340	340	268	297	68	112	310 x 310	
Powder coated bottom frame with 1-18W-2G11.	CRPHB1-1-18W-2G11 BFX	1x18W 2G11	640	340	597	268	68	112	600 x 600	
Powder coated bottom frame with 2-18W-2G11.	CRPHB1-2-18W-2G11 BFX	2x18W 2G11	640	340	597	268	68	112	600 x 600	
Powder coated bottom frame with 40W PCB.	CRPHB1-40W-PCB BFX	PCB	640	340	597	268	68	112	600 x 600	
Powder coated bottom frame with 2-18W-2G11.	CRPHB2-2-18W-2G11 BFX	2x18W 2G11	640	640	568	597	68	112	600 x 600	
Powder coated bottom frame with 3-18W-2G11.	CRPHB2-3-18W-2G11 BFX	3x18W 2G11	640	640	568	597	68	112	600 x 600	
Powder coated bottom frame with 40W PCB.	CRPHB2-40W-PCB BFX	PCB	640	640	568	597	68	112	600 x 600	